



REGULATORY SERVICES DIVISION

INDUSTRIAL DISCHARGE CONTROL PROGRAM

Temporary Discharge Authorization Permit Guidelines for Hydro-Demolition Dischargers

Completed DAP applications for temporary dischargers shall be submitted at least 60 days prior to gaining approval for discharge to the Washington Suburban Sanitary Commission's (WSSC's) sanitary sewer. A permit fee shall be submitted with application. Prior to submission of the application the following are guidelines for submitting your application and may not be all inclusive:

Evaluate the hydro-demolition site layout

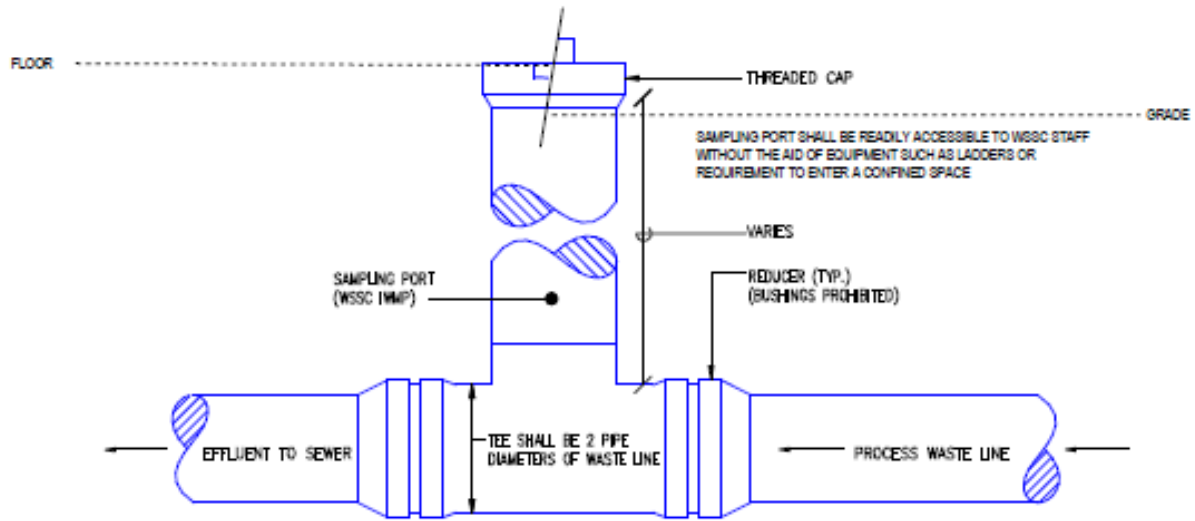
- Obtain onsite plumbing plans.
- Identify discharge location (method of conveying wastewater to the sanitary sewer).
- Determine water source (i.e., on-site water/sewer account; metered on-site hydrant; on-site water only account with means to measure sanitary sewer discharges).
- Diagram the configuration of the pretreatment system. The system must be capable of neutralizing wastewater pH and removing Total Suspended Solids. Include tank materials, dimensions, working volumes, connection points and baffles. In addition, include operating procedures for the pretreatment system and indicate, at a minimum, the controller and set points, the system monitoring point(s) location, and procedure and frequency of probe maintenance.
- Diagram location of Industrial Waste Monitoring Point (IWMP). It must be an approved WSSC IWMP and/or a WSSC IWMP Standard Detail monitoring point, see page 2.
- Install prior to the Industrial Waste Monitoring Point, in series, and on the effluent line of the pretreatment system discharge, a flow meter with totalizer for reporting the continuously measured volume of effluent discharge throughout the hydro-demolition work. The referenced monitoring devices shall be depicted on the process diagram and retained for future use.
- For solids and/or sludge generation, acquire a licensed hauler to ensure proper disposal. Septic haulers are not permitted to haul this waste.

Submit complete application with requested information

- Contract a WSSC licensed master plumber to purchase required permits for a supply water connection with backflow prevention and for a sanitary sewer connection to the discharge point. Plumber to complete required long form/permits.
- An Inspection will be performed by an Industrial Discharge Control Investigator on the pretreatment system, IWMP, and materials involved in the pretreatment process operation and process by-products. In addition, a WSSC Plumbing Inspector will perform an inspection of the supply water connection/backflow preventer as well as the connection to the discharge point (i.e. sanitary sewer).

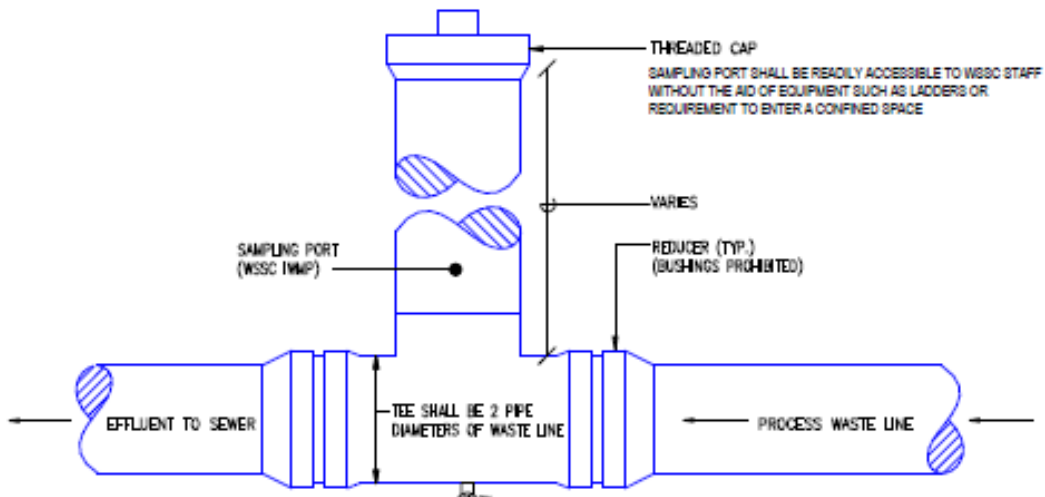
Once a Discharge Authorization Permit for Temporary Dischargers has been received, you may discharge from the effective to the expiration dates.

STANDARD WSSC IWMPs



NOTE:
1. SAMPLING PORT SHALL BE AT LEAST 8" I.D.

DETAIL 1 – WSSC INDUSTRIAL WASTE MONITORING PORT (EXTERIOR/BELOW GRADE)
NO SCALE



NOTE:
1. SAMPLING PORT SHALL BE AT LEAST 8" I.D.

DETAIL 2 – WSSC INDUSTRIAL WASTE MONITORING PORT (INTERIOR)
NO SCALE