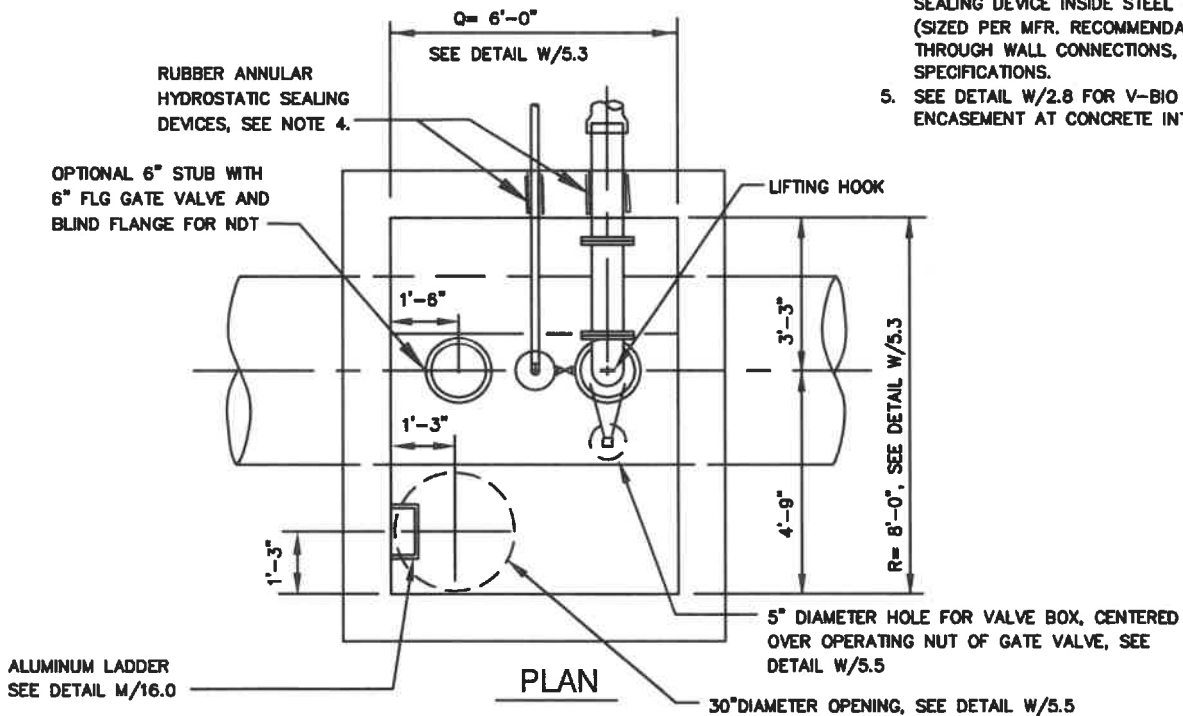


**NOTES:**

1. FOR VALVE AND PIPING SIZES AND LAYOUT, SEE DETAIL W/10.1.
2. SEE DETAILS W/5.2 AND W/5.3 ADDITIONAL INFORMATION.
3. CONTRACTOR MAY USE PRECAST VAULT. SEE SPECIFICATIONS FOR SUBMITTAL REQUIREMENTS.
4. PROVIDE RUBBER ANNUAL HYDROSTATIC SEALING DEVICE INSIDE STEEL WALL SLEEVE (SIZED PER MFR. RECOMMENDATIONS) FOR PIPE THROUGH WALL CONNECTIONS, SEE SPECIFICATIONS.
5. SEE DETAIL W/2.8 FOR V-BIO POLYETHYLENE ENCASEMENT AT CONCRETE INTERFACE.



WASHINGTON  
SUBURBAN  
SANITARY  
COMMISSION

APPROVED: 7-26-21  
*Maha Arzmen*  
Chief Engineer

STANDARD DETAIL  
AIR/VACUUM VALVE VAULT  
ON 30" DIAMETER  
AND LARGER PIPES

W  
10.2