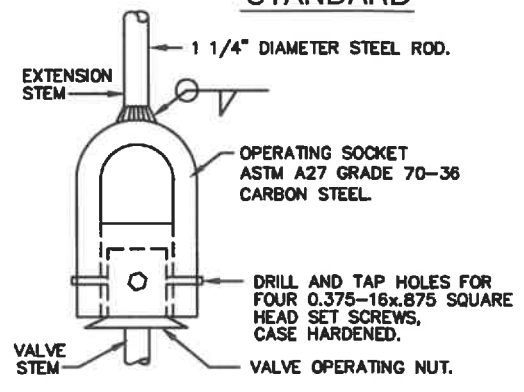


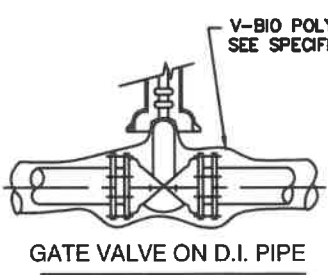
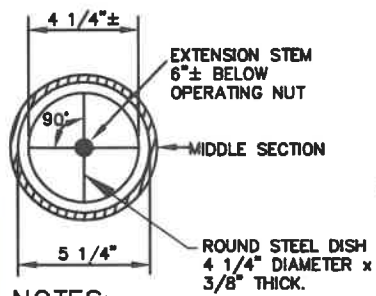
STANDARD



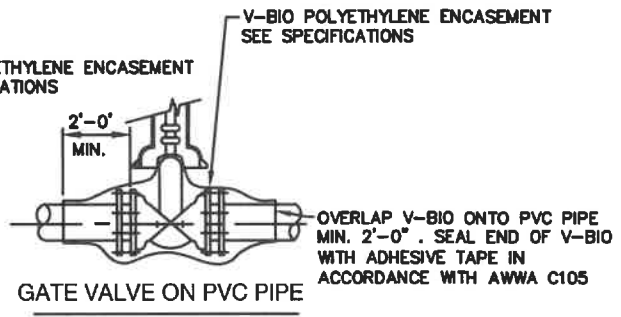
OPTION

WHEN EXTENSION STEMS ARE REQUIRED

SIZE OF WATER MAIN	DISTANCE FROM FINISHED GRADE TO INVERT OF WATER MAIN EXCEEDS
4" W	5.3'
6" W	5.7'
8" W	6.1'
10" W	6.5'
12" W	6.9'
16" W	7.5'



GATE VALVE ON D.I. PIPE



GATE VALVE ON PVC PIPE

NOTES:

1. EXTENSION TO BE SECURELY WELDED TO GATE VALVE KEY. STEM MATERIAL COMPOSITION SHALL COMPLY WITH ASTM A108.
2. LENGTH OF STEM TO BE SUCH THAT OPERATING NUT WILL BE LOCATED AS INDICATED ABOVE.
3. WELD STEEL DISH 4-1/4" DIAMETER x 3/8" THICK TO EXTENSION STEM TO INSURE OPERATING NUT IS CENTERED WITHIN VALVE BOX.
4. COAT EXTENSION STEM WITH FIELD APPLIED COATING, SPECIFICATIONS.
5. USE THIS DETAIL WHEN DISTANCE FROM TOP OF OPERATING NUT OF VALVE TO INVERT OF WATER MAIN EXCEEDS THE DIMENSIONS SHOWN ON TABLE.

WASHINGTON
SUBURBAN
SANITARY
COMMISSION

APPROVED: 7-26-21

Mike Harmon
Chief Engineer

STANDARD DETAIL

EXTENSION STEMS AND
VALVE BOXES FOR
DEEP VALVE SETTINGS

W
2.2