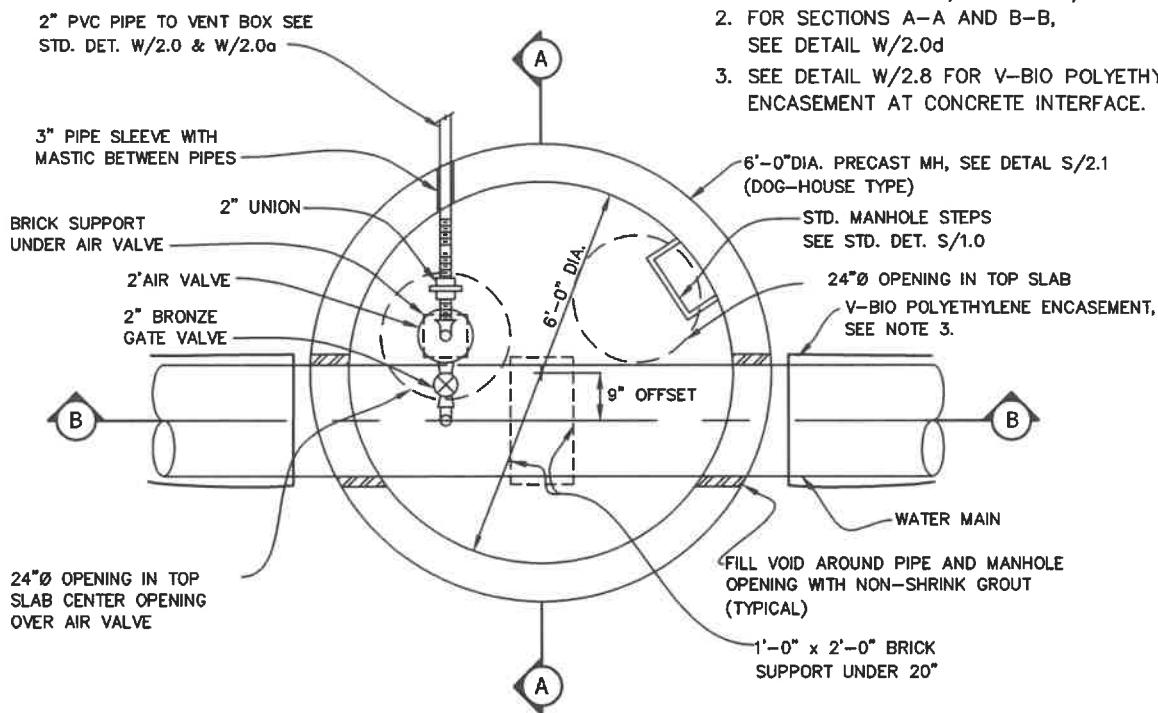
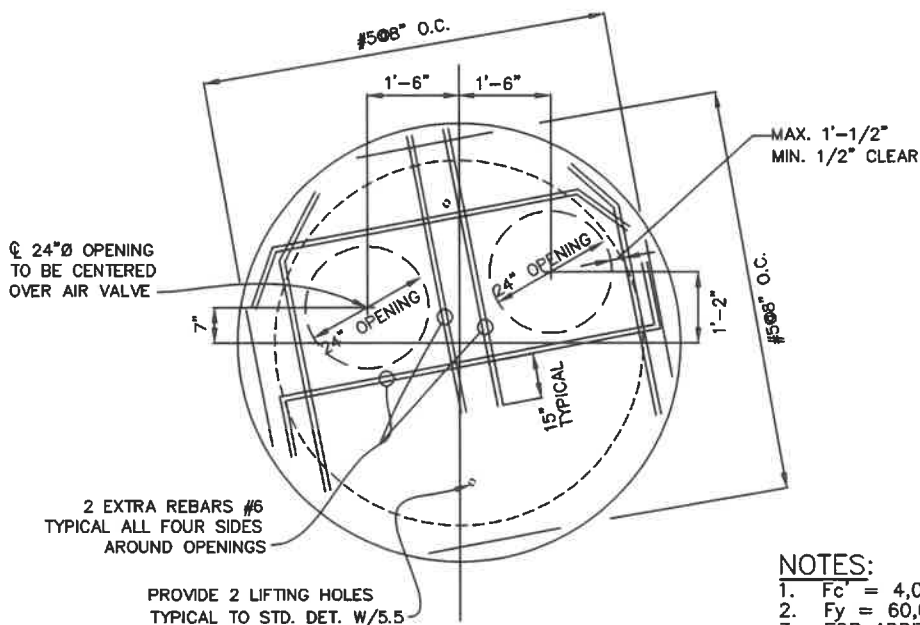


NOTES:

1. FOR ADDITIONAL INFORMATION, SEE STD DETAILS W/2.0 AND W/2.0c
2. FOR SECTIONS A-A AND B-B, SEE DETAIL W/2.0d
3. SEE DETAIL W/2.8 FOR V-BIO POLYETHYLENE ENCASEMENT AT CONCRETE INTERFACE.



AIR VALVE MANHOLE - PLAN



TOP SLAB - PLAN

NOTES:

1. $f_c = 4,000\text{PSI} @ 28\text{ DAY}$
2. $f_y = 60,000\text{ PSI}$
3. FOR ADDITIONAL INFORMATION SEE SPECIFICATION SECTION 03300

WASHINGTON
SUBURBAN
SANITARY
COMMISSION

APPROVED: 7-26-21

Mr. Harner
Chief Engineer

STANDARD DETAIL
SHALLOW TYPE
2-INCH AIR VALVE IN MANHOLE
FOR 24-INCH DIAMETER AND
SMALLER PIPELINES

W
2.0c