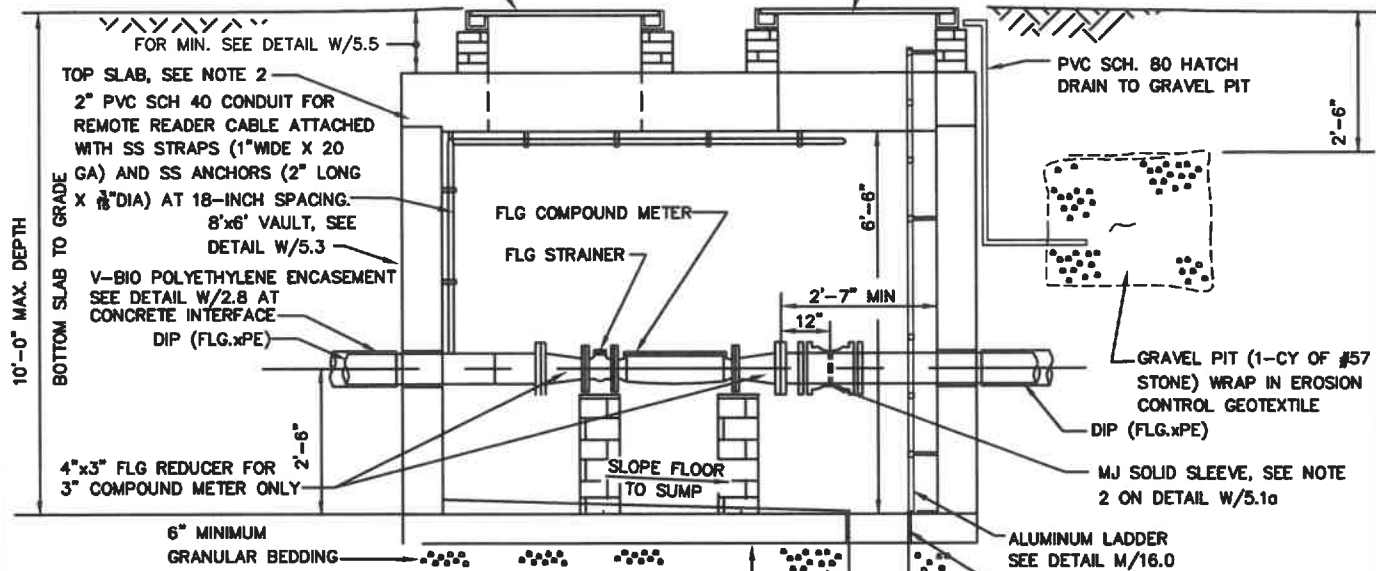


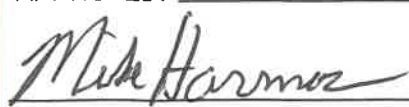
PLAN



ELEVATION

NOTES:

1. FOR PIPE AND FM METER SIZES, PIPING LAYOUT AND NOTES, SEE DETAIL W/5.1a.
2. FOR TOP SLAB DETAILS, SEE DETAIL W/5.24.
3. FOR DIMENSION "A", SEE DETAIL W/5.1a.
4. IF VAULT LOCATION IS LOCATED IN TRAFFIC AREA, USE 30" DIA. FRAME AND COVER FOR LOCATION SEE DETAIL W/5.1a.
5. BENDS IN REMOTE READER CONDUIT NOT TO EXCEED 45° UNLESS USING A 90° SWEEP.
6. CONTRACTOR SHALL INSTALL REMOTE READER HOUSING, ALL CONDUIT AND WRING. METER SERVICES SHALL INSTALL THE REMOTE READING DEVICE AND PERFORM FINAL WIRING TO THE METER.

WASHINGTON SUBURBAN SANITARY COMMISSION	APPROVED: <u>2-26-21</u>  Chief Engineer	STANDARD DETAIL 3-INCH, 4-INCH, AND 6-INCH COMPOUND METER VAULT	$\frac{W}{5.1}$
--	---	---	-----------------