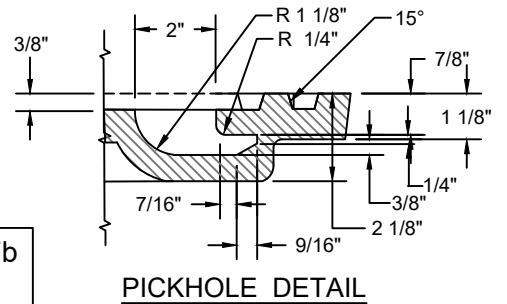


**SEE DETAIL P&M 10.7b FOR CONTINUATION**

**MATERIAL SPECIFICATION: GRAY IRON ASTM A48 CL35B**



**APPLICABLE STOCK NOS.**  
 5680-9025-2  
 5680-9028-6  
 5680-9050-0

**CASTINGS SHALL CONFORM TO AND BE MANUFACTURED IN ACCORDANCE WITH THE REQUIREMENTS OF AASHTO STD M306, LATEST REVISION**

**WASHINGTON SUBURBAN SANITARY COMMISSION**

**REVISIONS:**  
**APPROVED: May 4, 2021 | 12:46 PM EDT**  
 DocuSigned by:  
*Jaime Garcia*  
 B7DBE23469C84BD...  
 MATERIALS MANAGEMENT DIVISION MANAGER

**PROCUREMENT AND MANUFACTURING DETAIL**

**LOCKING TYPE- WATERTIGHT 22" MANHOLE FRAME & COVER**

**P&M 10.7a**