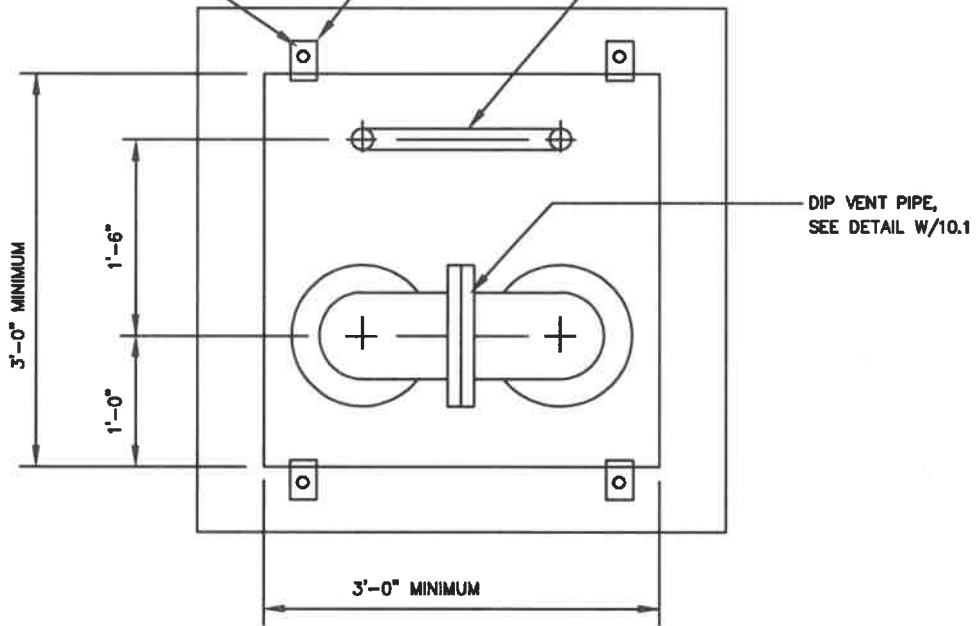


4-1/2" DIA. x 2-3/4" STAINLESS  
STEEL EXPANSION BOLT WITH  
WASHER, SEE DETAIL W/2.0a  
(TYPICAL OF 4).

L 4"x3"x1/4" HOT DIP STEEL  
SEE DETAIL W/2.0a  
(TYPICAL OF 4).

2" PVC VENT PIPE,  
SEE DETAILS W/10.1 AND W/2.0a



PLAN

8 GA. GALVANIZED VENT BOX

MINIMUM  
2" CLEAR

DIP VENT PIPE,  
(MINIMUM PIPE SIZE=3",  
MAXIMUM PIPE SIZE=8")  
SEE DETAIL W/10.1

2'-6" MINIMUM

MINIMUM  
2" CLEAR

MINIMUM  
2" CLEAR

FOR TOP SLAB  
ELEVATION, SEE DRAWINGS

FINISHED GRADE

6" TYPICAL

1'-0" MINIMUM

V-BIO POLYETHYLENE ENCASEMENT,  
SEE SPECIFICATIONS

PROVIDE MINIMUM 1/2" LARGER DIAMETER  
SLEEVE AROUND DIP VENT PIPING.  
FILL VOID BETWEEN VENT PIPE AND SLEEVE WITH MASTIC.

CONCRETE PAD,  
SEE DETAIL W/2.0a

NOTES:

1. SEE DETAIL W/2.0a FOR NOTES, SIZES AND DETAILS NOT SHOWN.
2. END V-BIO POLYETHYLENE ENCASEMENT AT CONCRETE PAD, SEE DETAIL W/2.8.

SECTION

WASHINGTON  
SUBURBAN  
SANITARY  
COMMISSION

APPROVED: 7-26-21

*M. H. Harner*

Chief Engineer

STANDARD DETAIL  
VENT BOX FOR  
AIR/VACUUM VALVE VAULT  
ON 30-INCH DIAMETER  
AND LARGER PIPES

W  
2.0b