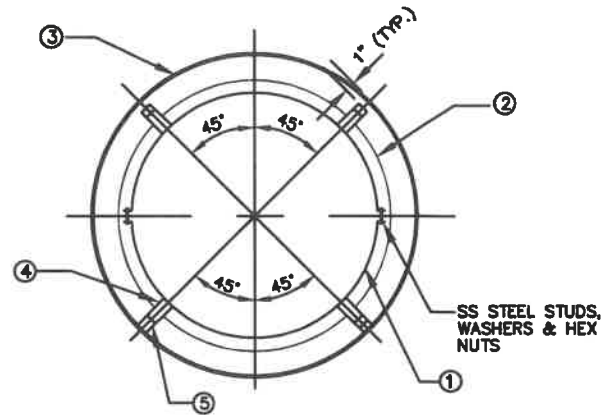


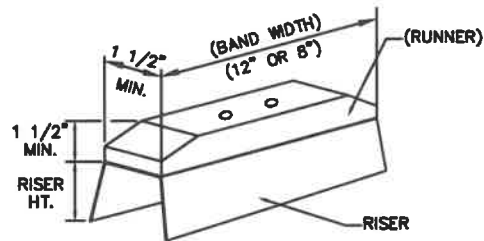
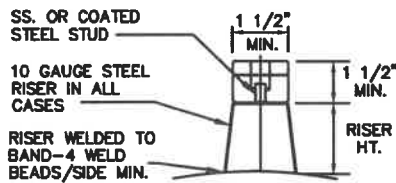
RISER LOCATION FOR 14" THRU 36" DIA.
CARRIER PIPE WITH 12" BAND WIDTH



RISER LOCATION FOR 12" DIA. & LESS
CARRIER PIPE WITH 8" BAND WIDTH

1. BAND AROUND CARRIER PIPE
2. BELL
3. STEEL OR RCP CASING

4. RISER
5. RUNNER



RUNNER AND RISER DETAIL

CASING PIPE DIA.	20" STL.	22" STL.	24"	30"	36"	42"	48"	54"
	21" RCP	24" RCP						
CARRIER PIPE DIA.	4"-8"	10"	12"	16"	20"	24"	30"	36"

NOTES:

1. SEE DETAIL M/17.7 FOR OTHER REQUIREMENTS.
2. THIS DETAIL IS ONLY USED FOR TUNNELS FOR WATER MAINS AND SEWER FORCE MAINS.

WASHINGTON
SUBURBAN
SANITARY
COMMISSION

APPROVED: 6/17/21
Milo Harner
Chief Engineer

STANDARD DETAIL
CASING AND CASING
SPACER DETAILS

M
17.6