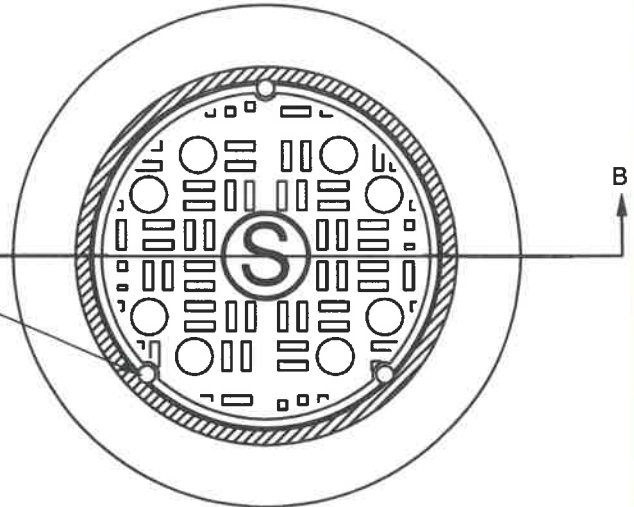
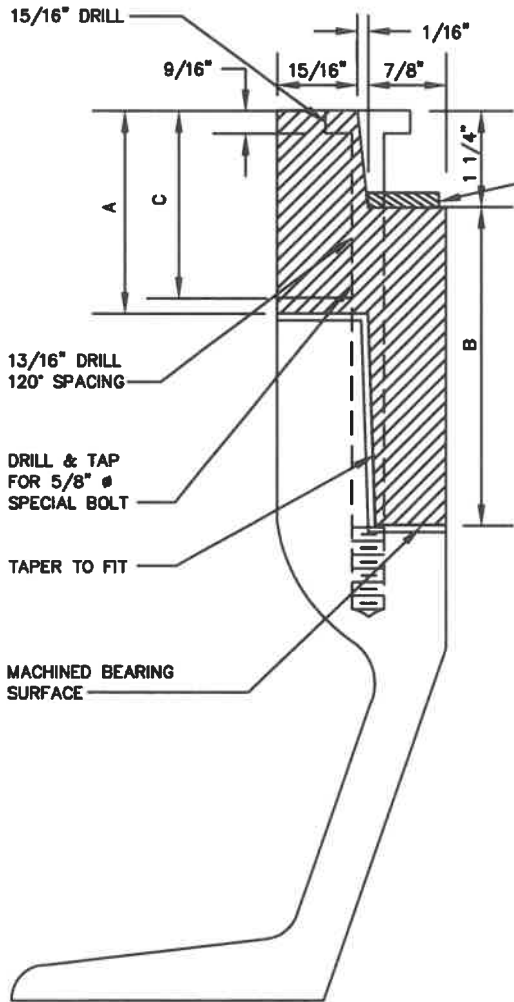


PROVIDE PICKHOLES IN COVER

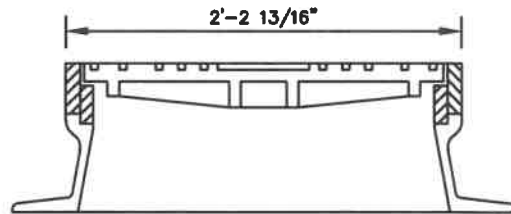
PROVIDE THREE 13/16" BOLT HOLES 120° APART IN ADJUSTING RING. PROVIDE 3-5/8" Ø STAINLESS STEEL BOLTS.



PLAN



1/4" THICK x 3/4" WIDE NEOPRENE GASKET CEMENTED TO BEARING SURFACE OF ADJUSTING RING TO FORM A WATERTIGHT SEAL.



SECTION B-B

NOMINAL RISE	A	B	C*
2"	2"	3 1/4"	1 7/8"
3"	3"	4 1/4"	2 7/8"

\* BOLT LENGTH (7/8" THREAD).

PRIOR TO SETTING ADJUSTING RING APPLY MASTIC WATERPROOFING MATERIAL TO EXISTING TOP BEARING SURFACE.

SECTION THROUGH ADJUSTING RING

WASHINGTON  
SUBURBAN  
SANITARY  
COMMISSION

APPROVED: 7-7-21  
*M. Hammer*  
Chief Engineer

STANDARD DETAIL  
ADJUSTING RINGS  
FOR 22-INCH OPENING  
STANDARD MANHOLE  
FRAME AND COVER

S  
4.1