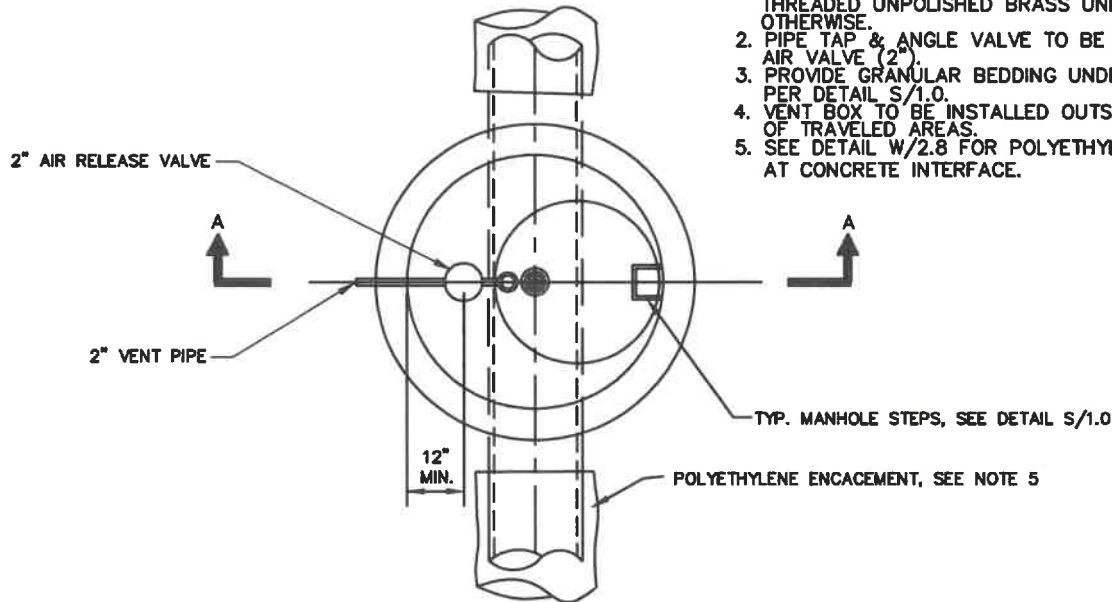
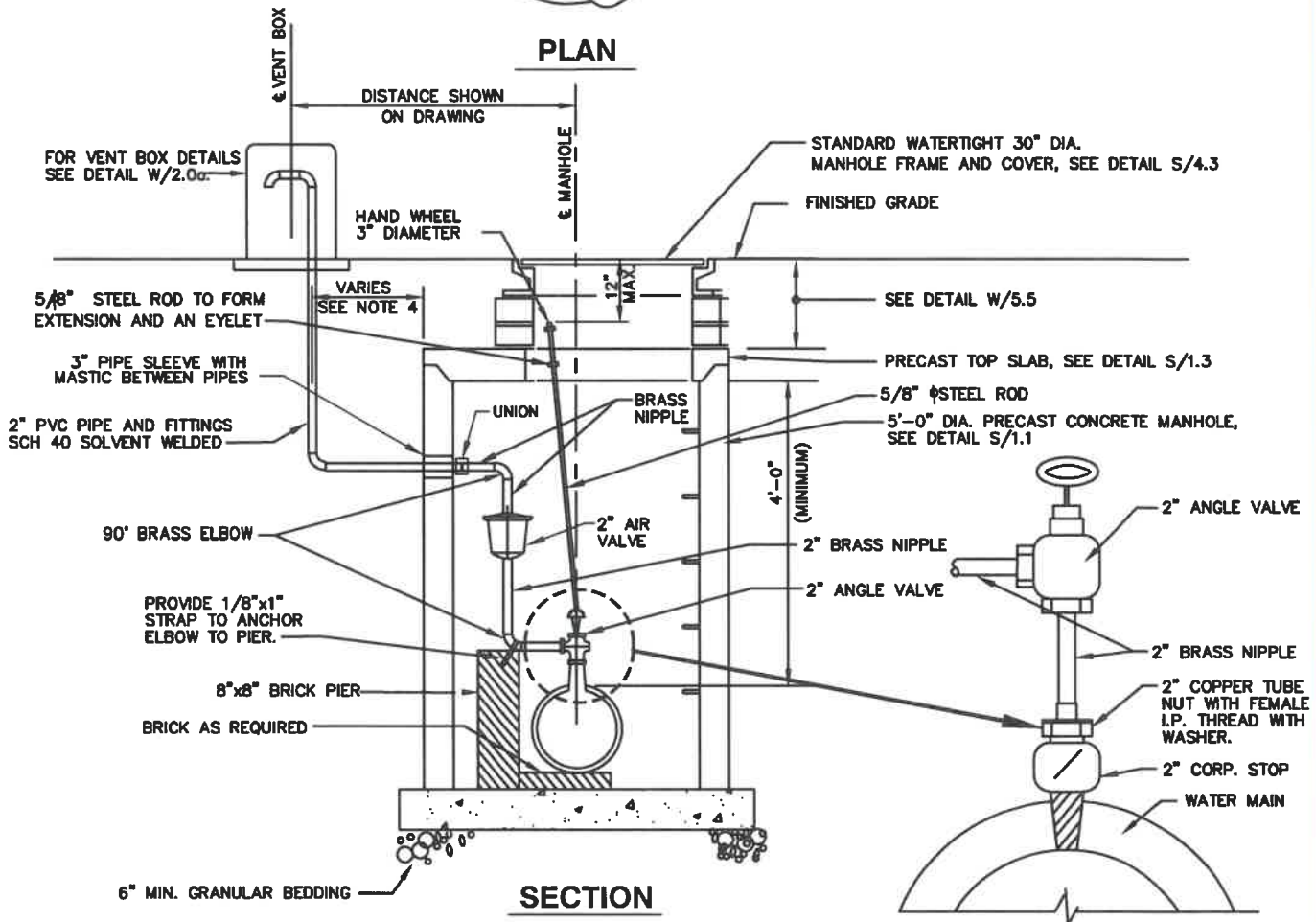


**NOTES:**

1. ALL FITTINGS BELOW AIR VALVE TO BE HEAVY DUTY THREADED UNPOLISHED BRASS UNLESS NOTED OTHERWISE.
2. PIPE TAP & ANGLE VALVE TO BE SAME SIZE AS AIR VALVE (2").
3. PROVIDE GRANULAR BEDDING UNDER MANHOLE PER DETAIL S/1.0.
4. VENT BOX TO BE INSTALLED OUTSIDE OF TRAVELED AREAS.
5. SEE DETAIL W/2.8 FOR POLYETHYLENE ENCASEMENT AT CONCRETE INTERFACE.



**PLAN**



**SECTION**

WASHINGTON  
SUBURBAN  
SANITARY  
COMMISSION

APPROVED: 7-26-21

*Mike Harmon*  
Chief Engineer

STANDARD DETAIL

2-INCH AIR VALVE IN MANHOLE  
FOR 24-INCH DIAMETER AND  
SMALLER PIPELINES

W  
2.0