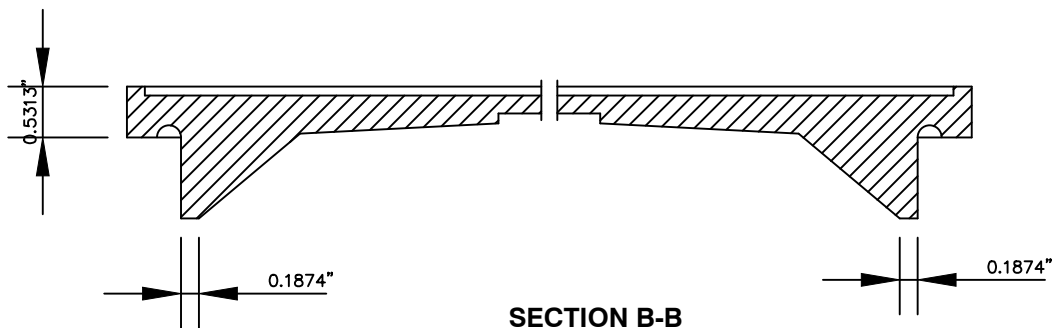
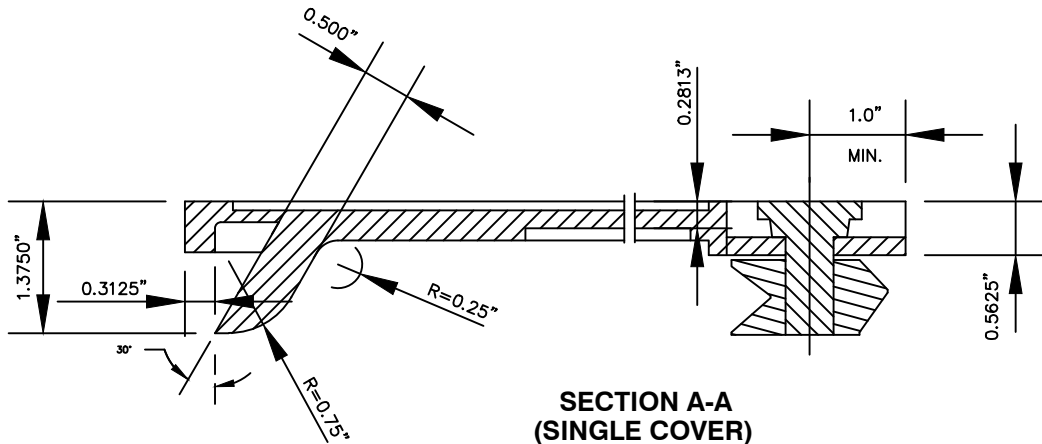


**SECTION A-A
(DOUBLE COVER)**
SCALE: 1"=2.0"



**SECTION B-B
(TYP SINGLE COVER AND DOUBLE COVER)**
SCALE: 1"=2.0"



**SECTION A-A
(SINGLE COVER)**
SCALE: 1"=2.0"

NOTES:

1. ALL GRAY IRON CASTINGS TO BE ASTM A48 CLASS 25 MIN.
2. SEE P&M/4.1 FOR FURTHER DETAILS
3. TOLERANCE OF +/- 1/16 UNLESS NOTED OTHERWISE
4. CASTING SHALL BE CLEANED BY AN APPROVED PROCESS AND COATED WITH AN APPROVED ASPHALTIC COATING

WASHINGTON SUBURBAN SANITARY COMMISSION	REVISIONS: APPROVED: <u>May 3, 2021 9:23 PM EDT</u>	PROCUREMENT AND MANUFACTURING DETAIL	P&M 4.2
	DocuSigned by: <i>Jaime Garcia</i> 87DBE23469C84BD MATERIALS MANAGEMENT DIVISION MANAGER	SINGLE AND DOUBLE METER COVERS	